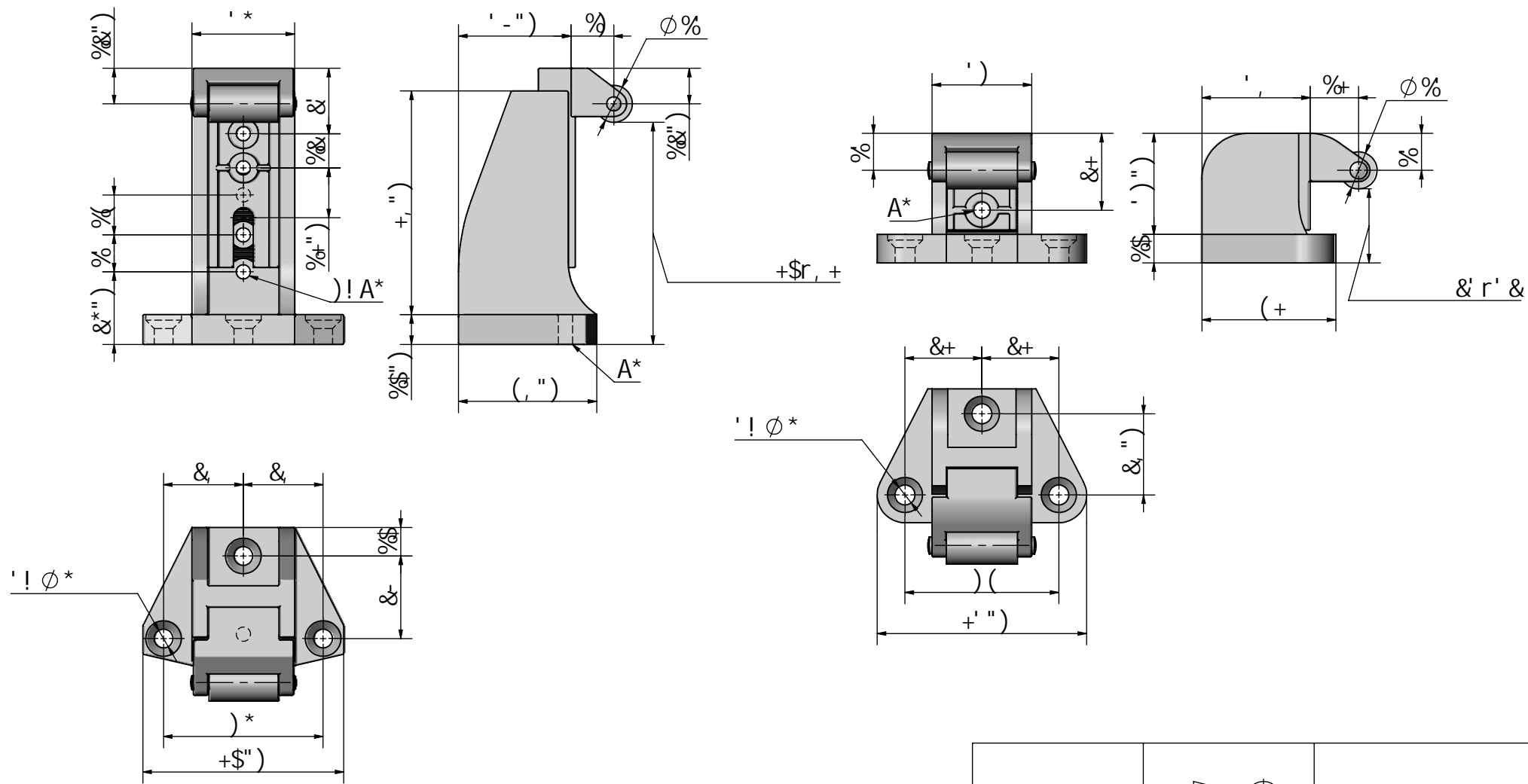


$\% '$		
$G? \% \% \phi_t,$		



0.250		
$G70000$		